

DELIVERING AUTOMATION

CUSTOMISED SOLUTIONS & EXPERT ADVICE

YOUR PARTNER IN THE FRAME & TRUSS INDUSTRY



CUSTOMISED SOLUTIONS

/ CONTACT US



32 Millrose Drive, Malaga, Perth
Western Australia 6090



+61 8 6117 0660



www.vekta.com.au



info@vekta.com.au

/ THE VEKTA FAMILY OF SOLUTIONS

Find each product category on the pages below:

/ 01 INFEED P04

PACKFEEDER; STAK N GAP / AIT

/ 02 CUTTING P06

RAZER; P3; REAL-TIME OPTIMISATION

/ 03 OUTFEED P10

DIRECT DELIVERY SYSTEM (DDS);
MINI MULTISTATION OFK; OFK

/ 04 FABRICATION P14

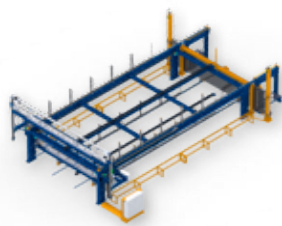
AUTONAILER; STANDARD NAILER;
COMPONENT MASTER; NOG MASTER;
NOG NAILER

/ 05 CONVEYING P20

STAKPRO FRAME; FINISHING TABLE;
STAKPRO TRUSS; SMART ROLLER;
TRUSS TRANSFER; STAKROLLER

/ 06 VEKTA DIFFERENCE P26

VEKTA SUPPORT; VEKTA TEAM



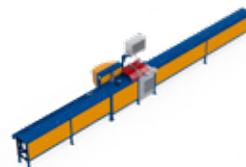
/ 01
INFEED



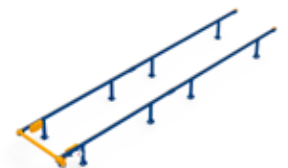
/ 02
CUTTING



/ 03
OUTFEED



/ 04
FABRICATION



/ 05
CONVEYING



/ WHAT ARE YOU TRYING TO ACHIEVE BY AUTOMATING?

- **ENHANCE EFFICIENCY?**
- **BOOST PRODUCTION?**
- **MINIMISE WASTE?**
- **ELIMINATE REDUNDANCIES?**
- **IMPROVE SAFETY?**
- **REDUCE OVERHEADS?**
- **FUTURE PROOF?**

Each answer will be unique to your Truss and Frame plant – with Vekta, the solution will also be unique.

/ YOUR PARTNER IN AUTOMATION

We believe that providing purpose-built solutions and expert support allows us to build a partnership with our customers.

- We listen and take the time to understand your business, your objectives and your ideas
- We foster longlasting relationships well beyond the sales and warranty period
- Your individual needs and circumstances are fully considered and given the highest priority
- We have your back with our expert support
- We want you to be as passionate about automation and Vekta machinery as we are



/ WHAT OUR CUSTOMERS SAY

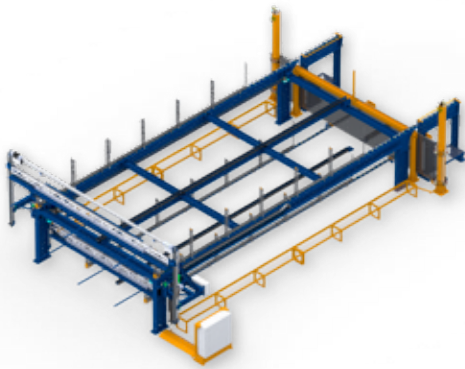
“ The team at **Vekta**...were able to open our eyes to **possibilities we didn't know even existed**. The finished product has not only met, but **exceeded our expectations**. With the minimal footprint of the PackFeeder, the **accuracy, speed** and **reliability** of the Razer V5, the speed and **efficiency** of the material conveyor system, and the **overall support** by this team we are **extremely pleased** with the outcome. ”

*/ Josh Wright
V.P. of Manufacturing
The Truss Company*

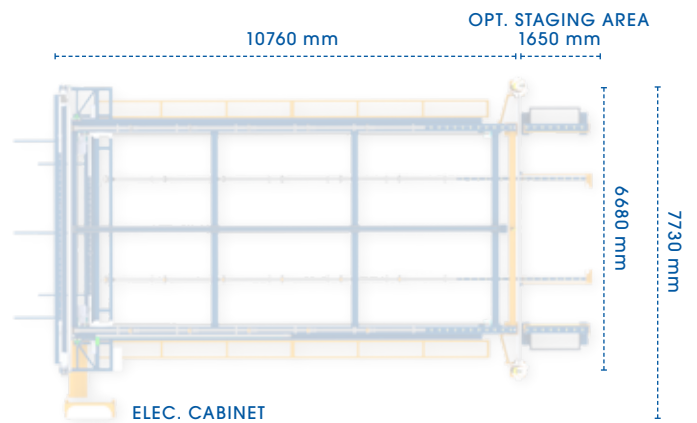
INFEED

Fully customisable infeed automation solutions that eliminate risk, human error and can keep up with the speed of your saw.

VEKTA PACKFEEDER



/ TOP VIEW



/ SUMMARY

Your saw is only as fast as its feed – manual loading leads to downtime, fatigue, and costly errors.

With the smallest footprint on the market, Vekta's compact dual-level PackFeeder intelligently scans, selects, and delivers boards to the saw at lightning speed – eliminating excess inventory, transportation and waiting times.

/ SPECIFICATIONS

Max. number of packs	24*
Typical pick cycle time	15 s (up to 2 boards at a time)
Standard PackFeeder sizes (number of bunks)	20 AUS sized*
Supported timber sizes	Min – 70 mm x 35 mm x 2400 mm Max – 300 mm x 45 mm x 6000 mm
Power req.	32 A @ 415 VAC / 480 VAC

* Total number of packs dependent on the physical size of the packs used

/ FEATURES

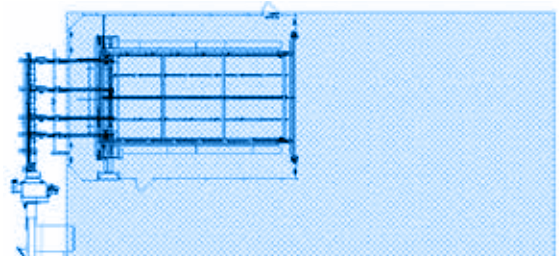
- Requires ≈75% less space than equivalent systems
- Dual-level design allowing for different size packs with optimal space utilisation
- Flexible loading – option to split packs and reconfigure bunk sizes to maximise versatility

/ OPTIONS

- **Stand-alone versions available**
- Integratable with third party saws
- PackFeeder staging area for quicker timber restock
- Various sizing options available

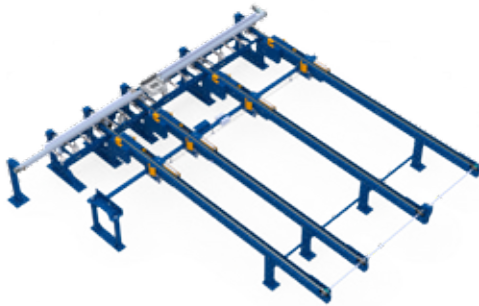
/ VEKTA vs THE COMPETITION

- The illustration to the right highlights the amount of floor space required for an equivalent size bunkfeeder incorporating typical 20 AUS sized packs of timber (approx. 75% less)
- The PackFeeder was developed specifically to keep up with high-speed linear saws (like the Razer), as such, it has unmatched speed, accuracy and reliability

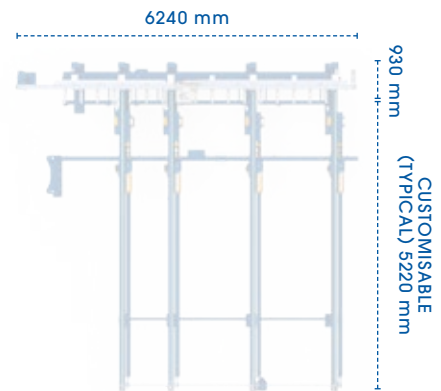


/ INFEED

VEKTA STAK N GAP AIT



/ TOP VIEW



/ SUMMARY

Used in tandem with the PackFeeder the Stak N Gap (SNG) will fully automate all infeed process.

Once delivered, timber will be inspected for correct bow, then flipped and stacked before cutting – eliminating human error and safety risks.

/ SPECIFICATIONS

Height – overall	1280 mm
SNG cycle time	8-20 s
Timber sizes	70 mm x 35 mm x 1500 mm lengths to 300 mm x 45 mm x 6000 mm lengths*

*Auto-stack up to 200 mm x 45 mm x 6600 mm lengths

/ FEATURES

- A modular upgrade for the existing Vekta Automated Infeed Table (AIT), adding full infeed automation with no increase to footprint or maintenance
- Retrofittable to any existing standard AIT system and integrates seamlessly with the Razer's native software
- Eliminates mistakes, labour on the infeed side of your linear cutting

/ OPTIONS

- Built to your specifications – bow thresholds and automated features can be adjusted by the user
- Adjusted to suit your plant layout, extra functionality can be turned on or off as needed (ie. flipping, fair ending)

/ WATCH

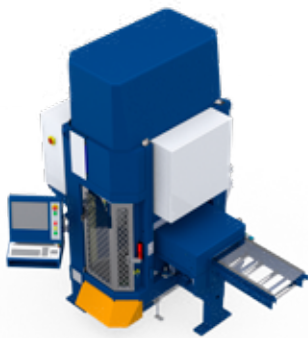
- Scan the QR code to the right to see the Vekta PackFeeder in action!



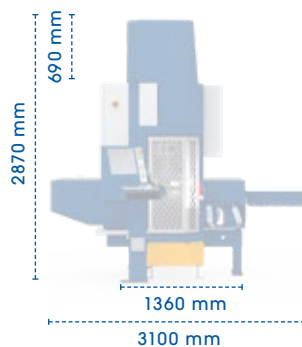
CUTTING

Flexible, custom options to suit your needs – Vekta's industry-leading solutions ensure every step of the process is optimised.

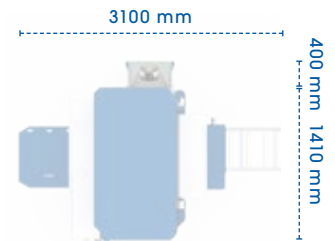
VEKTA RAZER V5



/ SIDE VIEW



/ TOP VIEW



/ SUMMARY

The Razer V5 is the full-featured version of the Razer saw, designed to have maximum flexibility and capability with the ability to perform a huge range of cut types and other functions.

Manufactured to the same exacting standards as the Razer V5, the Razer S5 is simplified to suit a plant primarily interested in cutting common roof truss components and basic, non-raking wall frames. The result is a less expensive linear saw with features tailored specifically to truss plants.

/ FEATURES

- Compatible with ALL NAIL PLATE SOFTWARE
- The industry's smallest footprint
- Unsurpassable accuracy and precise cutting that ensures products are to correct specifications

/ OPTIONS

- Customisable to suit your factory processes; material flow, multiple layout options, location of waste conveyor and dust extraction
- Modular – automated or manual infeed and outfeed options to suit your budget and needs
- Integrate one or more saws into Vekta's Direct Delivery System

/ SPECIFICATIONS – RAZER V5

Throughput*	250-350 truss components /h 400-550 frame components /h
Cut accuracy*	±1.5 mm typical
Cutting width – max.	350 mm (200 mm for double stacks)
Cutting depth – max.	90 mm (single or double stack)
Cutting length – max.	Unlimited
Timber length – min.	800 mm
Member length – min.	<1 mm
Main cut angle	0-180°
Bevel cut angle**	-67° - +67°
Cut types	Straight, Single/Compound Bevel, Taper, Birdsmouth (zero overcut), Trenching (3 sides), Rip, Bevel Rip, Notch, Drill
Number of cuts per member	Unlimited
Power & air req.	3 ph, 415/480 VAC ± 10%, 50 A, 50/60 Hz 340 L/min at 690 kPa (12 ft ³ /min at 100 psi)

* Actual results are site dependent with consideration to timber condition and member geometries

** Actual bevel limits based on timber thickness and saw head tools

/ CUTTING

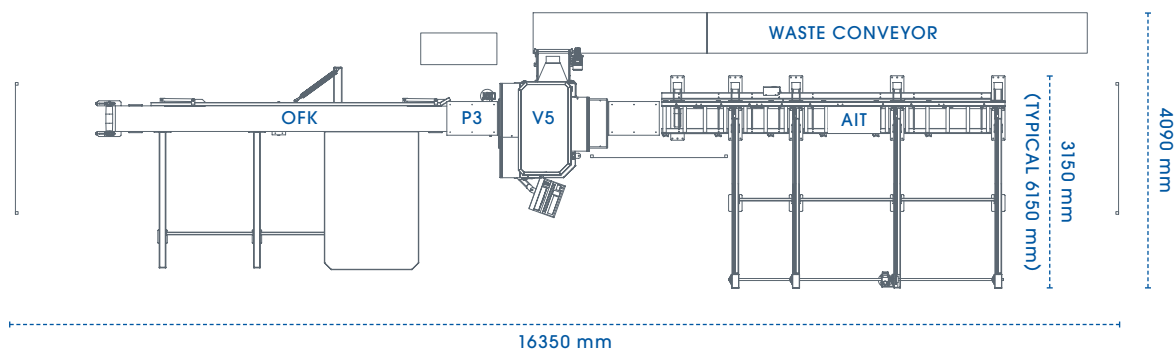
/ SAMPLE LAYOUTS

Flexibility, compatibility, scalability – work with Vekta to develop a comprehensive solution to suit your existing or new plant layout.

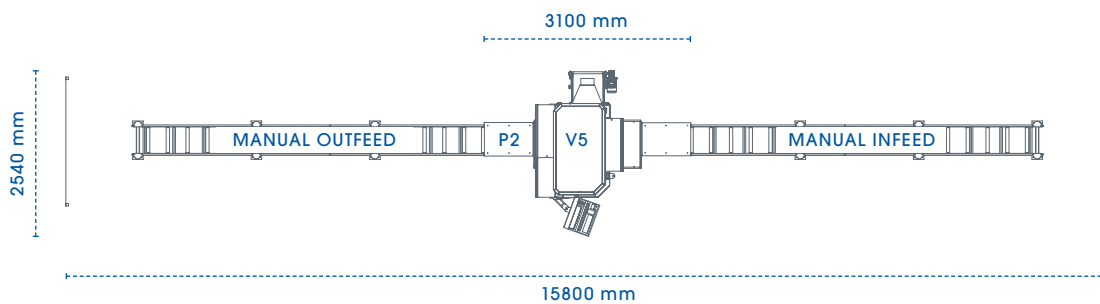
Whether you want automated or manual infeed and outfeed options our equipment is fully customisable to suit your factory processes.



/ AUTO IN/OUTFEED



/ MANUAL IN/OUTFEED



/ WATCH

- Scan the QR code to the right to see the Vekta Razer in action!





/ CUTTING

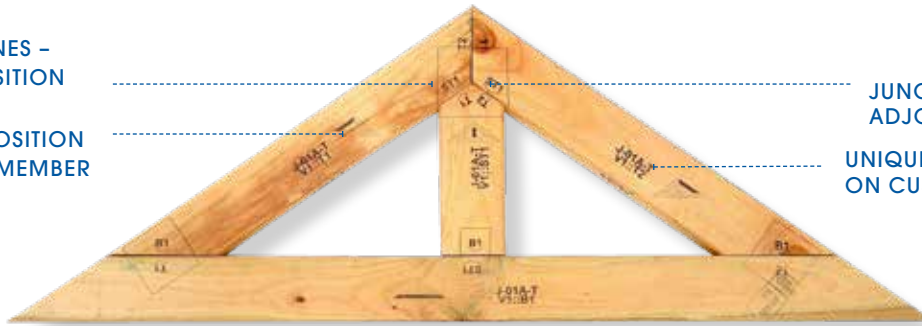


NAIL PLATE OUTLINES –
ORIENTATION/POSITION

ORIENTATION & POSITION
MARK FOR EACH MEMBER

JUNCTION LABELS FOR
ADJOINING MEMBERS

UNIQUE LABELING BASED
ON CUSTOMISABLE RULES



/ SUMMARY

Designed specifically for the needs of the Truss and Frame Industry, the P3 printer has been leading the industry for over a decade.

It is a high-resolution, highly configurable option for the Razer saw used to print position-dependent information onto cut components in real-time.

/ SPECIFICATIONS

Print resolution	300 dpi
Positional accuracy	1-2 mm typical
Printable faces	2 (top and side)
Printable member length	1 mm – 10 m
Print speed max	1400 mm/s

/ FEATURES

- Prints on two sides (top and side) in the correct orientation for your builders
- Fully configure what is printed on each individual member to minimise ink usage and maximise employee ability
- Print logos, checklists, nail plate outline and orientation, assembly information, overhang detail and much more

- Low cost parts and consumable
- Grayscale printing (dithering)
- Specialty options for frame and floor truss printing, including stud marks, panel marks, ply bracing and more

/ OPTIONS

- Feed direction and fence line configurable
- Standard 2 head side printer available (member designation)





/ CUTTING

VEKTA
REAL-TIME OPTIMISATION

AGILE JUST-IN-TIME
PRODUCTION

REAL-TIME
ADJUSTMENTS & RECUTS



SINGLE OPERATOR
MULTI-SAW MANAGEMENT

CONTROL THE SYSTEM
FROM ANY DEVICE

/ SUMMARY

Vekta's innovative Real-Time Optimisation (RTO) software leverages decades of technology advancements and intelligent algorithm development to facilitate Just-In-Time delivery and provide unparalleled flexibility and control of your cutting and production planning.



/ FEATURES

- Simultaneous optimisation - instantly optimise multiple jobs together across assembly stations, minimising waste
- Decentralised interface - empower your jig operators with the ability to schedule zero-disruption recuts, without the saw operator, directly from the point-of-use. Load, adjust, reorder and reroute jobs in real-time from any network device
- Real-time adjustments - adapt cutting volumes and flow to meet dynamic point-of-use demand
- Multi-saw management - efficient single operator control of multiple saws, reducing labour requirements and costs
- Continuous cutting lists - eliminate end-of-file waste through seamless job transitions, optimising material usage

/ OPTIONS

- Simple kick-off rules to control your point of use needs
- Direct delivery systems designed and custom-built to your plant and delivery needs

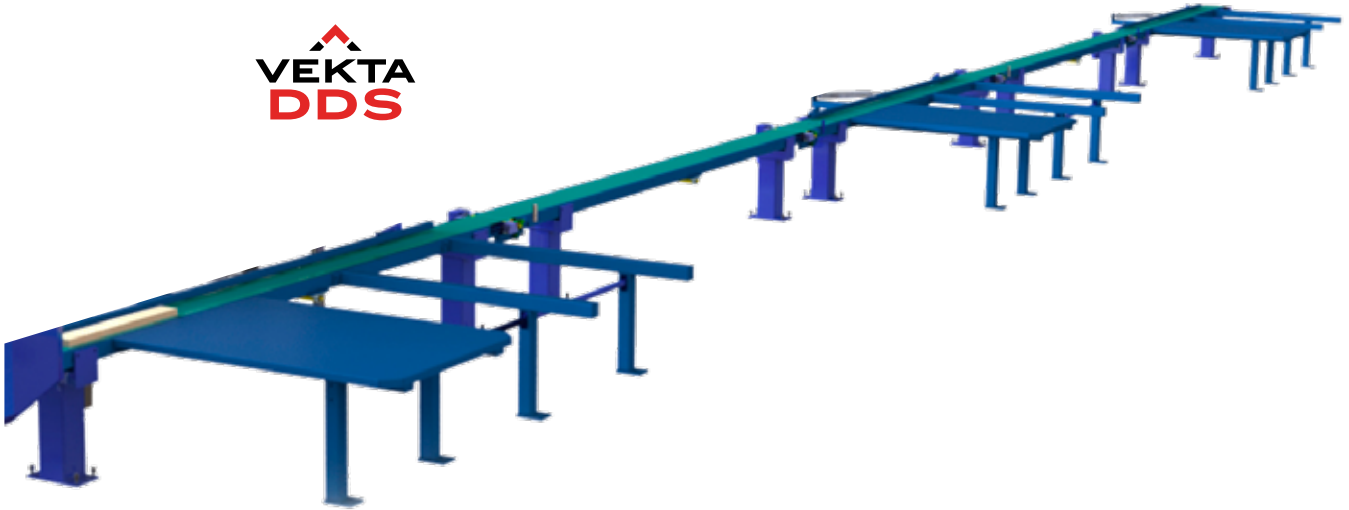
/ WATCH

- Scan the QR code to the right to see Vekta's Real Time Optimisation in action!



OUTFEED

Vekta's custom outfeed solutions deliver cut members where you want, in the correct orientation and order for easy assembly.



/ SUMMARY

The Vekta DDS (Direct Delivery System) is highly configurable and optimises one of the most labour intensive, least efficient steps in a plant – delivering cut components from saw to jig for assembly. Easily maintained and repaired, there is no need to hire engineers to maintain the equipment.

Utilise Vekta Real-Time Optimisation (RTO) software to schedule and optimise together multiple jobs at once and reduce operator intervention whilst retaining control.

/ SPECIFICATIONS

Number of kick-off locations	1-99
Layout of conveyor line	Customised
Kick-off options	Single, Single Destack, Dual Direction, Dual Direction Destack, Transfer
Table options	Gravity, Powered, Standard
Power & air req.	415 / 480 VAC @ 32 A 425 L/min at 690 kPa (15 ft ³ /min at 100 psi)

/ FEATURES

- With Just-In-Time delivery, start assembly moments after cutting commences – no need to cut all or most of a job before assembly begins
- Highly configurable to suit new and existing factory layouts
- Accepts cut components from one or more saws
- High speed rotation options for moving components to a conveyor line that is 90° to the first conveyor
- Ability to split the conveyor into multiple lines feeding in different directions
- Dual and single direction kick-off mechanisms can be positioned anywhere along the conveyor lines
- All cut components are justified to suit the kick-off locations and factory layout
- All cut components are justified to suit the kick-off locations and factory layout
- Powered and unpowered tables
- Printing location and orientation based on how the member will be picked up at point-of-use
- Kick-off components based on configurable rules (type of member, location in truss/frame, dimensions)
- Maximum safety with minimal labour and maintenance
- Operation and safety solutions customised for each and every installation – not a one-size-fits-all approach
- Interface at console and/or portable tablet

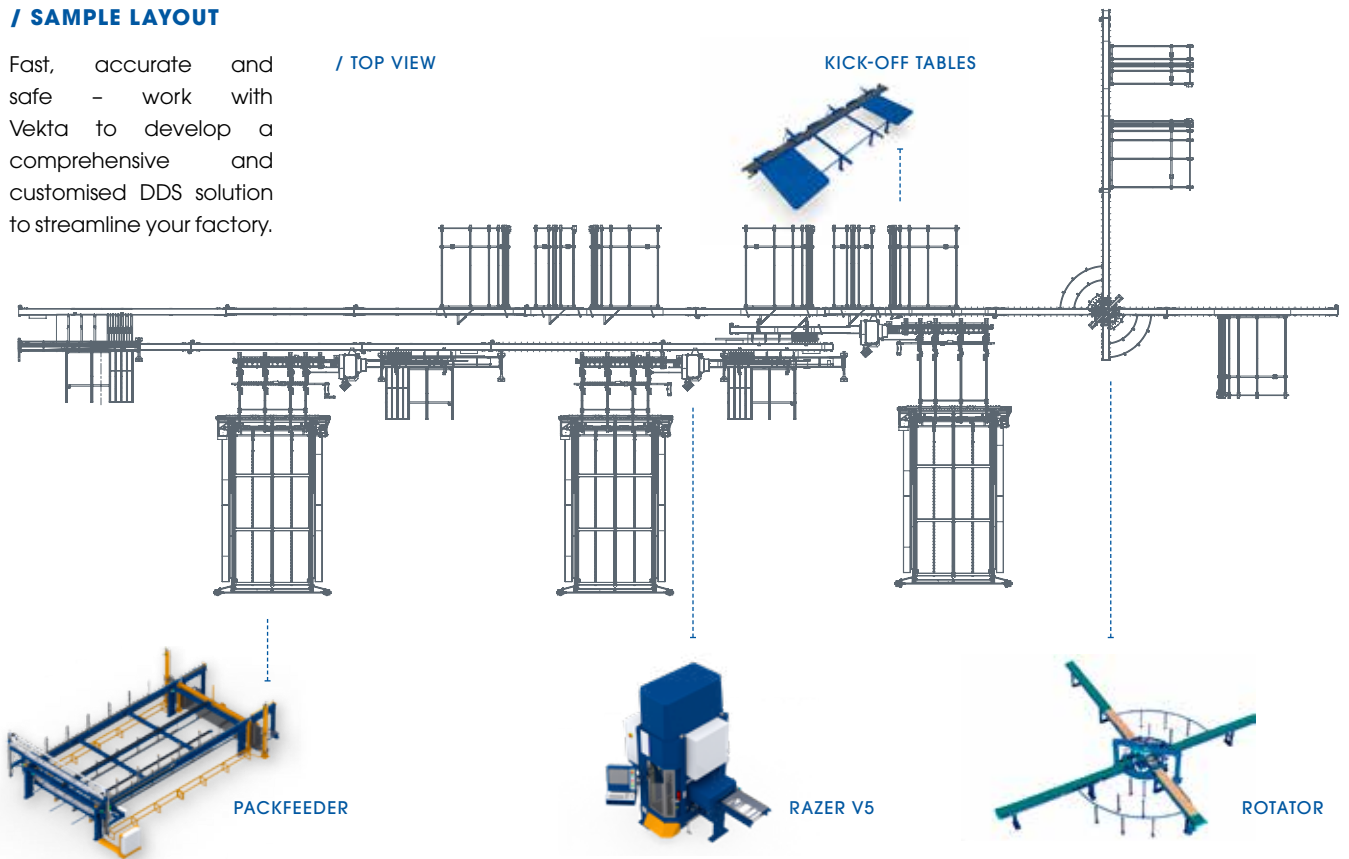


/ OUTFEED

/ SAMPLE LAYOUT

Fast, accurate and safe – work with Vekta to develop a comprehensive and customised DDS solution to streamline your factory.

/ TOP VIEW



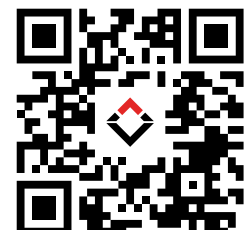
/ OPTIONS

- Scalable – add more conveyors and/or kick-offs in future as needed
- Customisable system designed and built specifically for your site
- Designed to work with real-time optimisation and just-in-time delivery. Utilise these features to automate many traditionally manual processes
- Multiple kick-off and direction options



/ WATCH

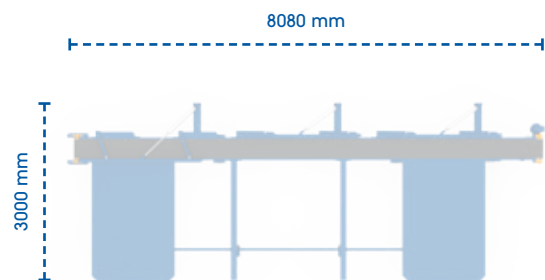
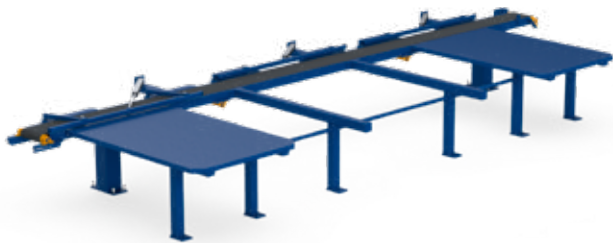
- Scan the QR code to the right to see Vekta's Direct Delivery System in action!





/ OUTFEED

VEKTA MINI MULTISTATION OFK



/ SUMMARY

Increase your efficiency and flexibility without sacrificing floorspace.

The Mini Multistation Outfeed Kick-off (OFK) gives you a second full-size kick-off area: separate your cut members by job, type, length and reduce your sorting time on the outfeed.

/ SPECIFICATIONS

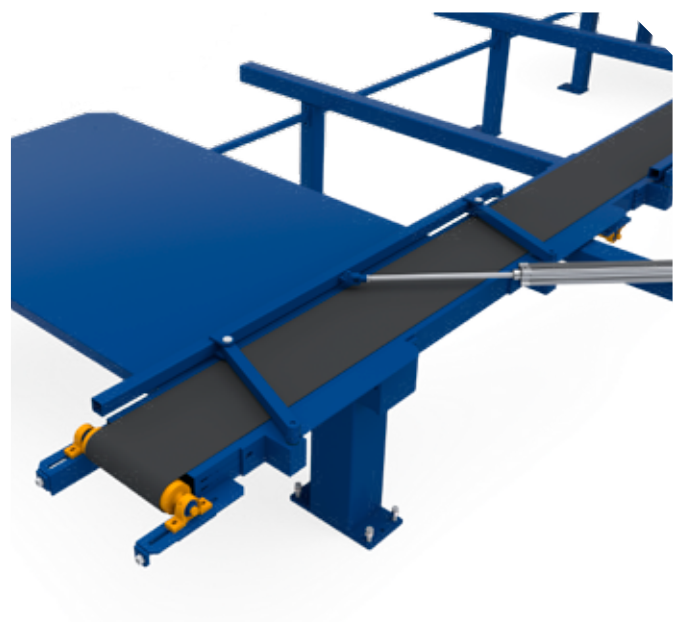
Kick-off cycle time	<2 s
Max. delivery locations	4 (kick-off 1, kick-off 2, middle between tables, off end)

/ FEATURES

- Simple rules to govern the kick-off location of your members, offcuts, reuse, and waste
- Cut two jobs at once and kick to different locations or split your components by whatever means suits you
- Minimal maintenance & easy to source spares

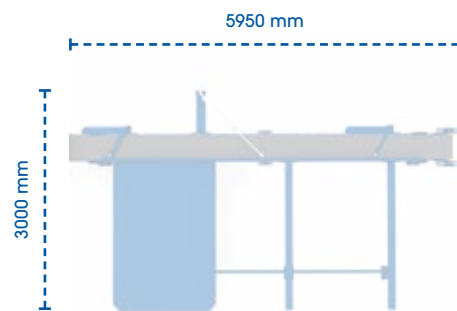
/ OPTIONS

- Extended safety options including e-stop lanyards, switches and light curtains always available and can be added later
- Upgrade to a dual direction kick-off to push members in both directions after cutting (de-stacking capability available)
- Easily change your kick-off rules at any time to suit the job





/ OUTFEED



/ SUMMARY

Vekta Outfeed Kick-off (OFK) offers versatile outfeed solutions to complement high-speed linear saw cutting.

Single kick-offs built to a specific orientation and shape, or upgrade to a Direct Delivery System (DDS) complete outfeed solution.

/ SPECIFICATIONS

Height – overall from floor	922 mm*
Timber length to destack	480 mm – 6000 mm
Kick-off cycle time	<2 s

*typical height, customisable based on saw height

/ FEATURES

- Unlock the full potential of the P3 printer with an intelligent conveying outfeed
- Standard tables can be replaced with gravity roller tables or powered chain kick-offs as required
- Real-time feedback on completed members & OFK status

/ OPTIONS

- Single and dual direction kick-off solutions – with de-stacking capability
- Upgrade to a DDS or multistation style outfeed at any time



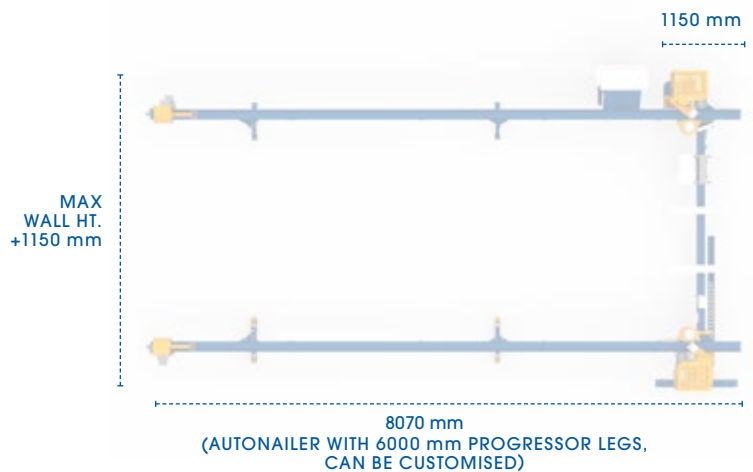
FABRICATION

Fully customisable solutions to increase the accuracy and productivity of your frame and truss lines.

VEKTA AUTONAILER



/ TOP VIEW



/ SUMMARY

The Vekta AutoNailer is our semi-automated parallel wall frame fabrication solution.

Intelligently guided by our proprietary software, operators are led through each step of the process, whilst the smart progressors move the wall frames to next position for stud insertion.

/ SPECIFICATIONS

Production capacity per 8 hour shift	250-500 linear m
Cycle time	<3 s
Min. wall height	1500 mm
Max. wall height	Variable - up to 4200 mm max.*
Max. wall length	6000 mm (based on progressor length)
Timber sizes	70-90 mm wide 35-45 mm thick

*Higher walls than 4.2m can be built, this can be customised

/ FEATURES

- Full range of modular upgrades available now (and more planned for the future) to improve wall production quality, speed and safety.
- Supported by Vekta's Expert Engineers both locally and onsite
- Full integration with our range of conveying, finishing and stacking options

/ OPTIONS

- Smart screen
- Customisable sizing and delivery and outfeed options to suit your plant setup and needs

- Minimal maintenance and upkeep - can be built to accommodate any size frames or timber
- One touch clamping and nailing between top and bottom plates
- Intelligent guidance systems - less downtime needed to train new staff and more time spent building

- Supports all brands of Nail guns, suited to your site preference
- Full range of complimentary machines that can handle every facet of framing - Nog and Component Masters for stud, nog, and internal components (cutting, nailing and delivery)



/ FABRICATION

**VEKTA
STD. NAILER**



/ FRONT VIEW



/ TOP VIEW



/ SUMMARY

The Vekta Standard Nailer is our budget frame fabrication solution, utilising the same clamping and nailing process as the AutoNailer but occupies a much smaller footprint.

It is ideal for plants who trench their top and/or bottom plates or use the Razer's highly accurate P3 printer stud-marking ability.

/ SPECIFICATIONS

Production capacity per 8 hour shift	200-400 linear m
Cycle time	<3 s
Min. wall height	1500 mm
Max. wall height	Built to customer requirements
Max. wall length	Unlimited
Timber sizes	70-90 mm wide 35-45 mm thick

/ FEATURES

- Full integration with our range of conveying, finishing and stacking options
- Supported by our expert engineers around the world
- One touch clamping and nailing of top and bottom plates
- Supports all brands of nail guns, suited to your site preference

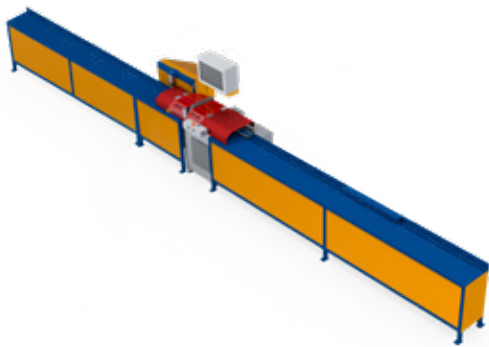
/ OPTIONS

- Customisable sizing and delivery and outfeed options to suit your plant setup and needs
- Upgradable to the AutoNailer at any time by adding the smart frame progressors, intelligent guidance touch screen and a few extra safety components
- Vekta's whole framing line requires minimal maintenance and upkeep and can be built to accommodate any size frames
- Full range of complimentary machines that can handle every facet of framing – Nog and Component Masters for stud, nog, and internal components (cutting, nailing and delivery)

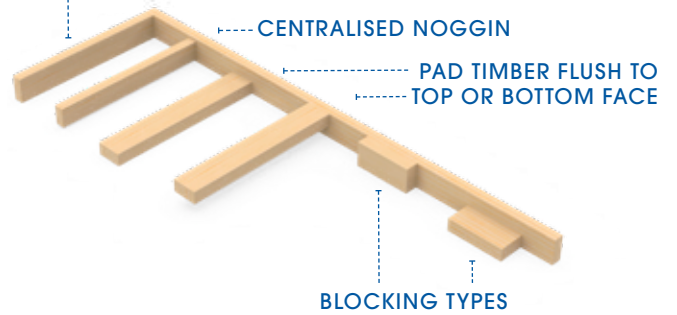


/ FABRICATION

VEKTA
COMPONENT MASTER



TYPICAL NOGGIN



/ SUMMARY

The Vekta Component Master is built exclusively to support your wall panel line.

Capable of cutting and nailing both stud-nog components and external opening components for fast and easy insertion at a nailing station or finishing table.

Reduce wall line bottlenecks by employing the Component Master to build you a buffer of wall components that can be any length or orientation.

/ SPECIFICATIONS

Timber width / height	70-140 mm wide 35-45 mm thick
Raw timber / cut stud max length	4200 mm
Cutting cycle time	3-4 s
Nailing cycle time	
Cutting accuracy*	±1 mm

* Actual results are site dependent with consideration to timber condition and member geometries.

/ FEATURES

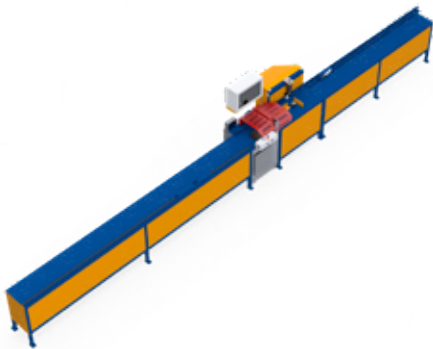
- Small footprint, safe and easy to use
- Highly versatile for all sub-assemblies
- Hybrid operation – accepts pre-cut members or cut from raw timber
- Highly accurate progressors ensure quality component assembly with minimal human error

/ OPTIONS

- Nog Master – a dual progressor variation specifically suited to high speed stud/noggin cutting and assembly also available
- Flexible nail gun integration, with larger coil options
- Backwards compatible with future modular upgrades (screwing, drilling)

/ FABRICATION

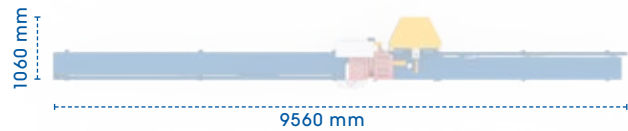
VEKTA NOG MASTER



/ SIDE VIEW



/ TOP VIEW



/ SUMMARY

The Vekta Nog Master is the perfect stud-nog cutting and assembly solution.

Dual direction progressors cut both the stud and nog simultaneously while a single motion places the nog in the correct position for the clamping and nailing cycle.

This high speed machine does not need a full time operator and can be setup to feed multiple frame lines simultaneously – allowing you to utilize your workers where they are needed.

/ SPECIFICATIONS

Timber width / height	70-90 mm wide 35-45 mm thick
Raw timber / cut stud max length	4200 mm
Cutting cycle time Nailing cycle time	3-4 s
Cutting accuracy*	±1 mm

* Actual results are site dependent with consideration to timber condition and member geometries.

/ FEATURES

- Eliminates errors and safety concerns for stud-nog assembly
- Hybrid operation – accepts pre-cut studs and nogs
- Built bespoke to suit your site and nail gun supplier
- Intelligent touch screen software guides the user through each step in the process
- Combine with a cross-over or curved conveyor to create a delivery system and component buffer

/ OPTIONS

- Flexible nail gun integration, with larger coil options
- Backwards compatible with future modular upgrades (screwing, drilling)

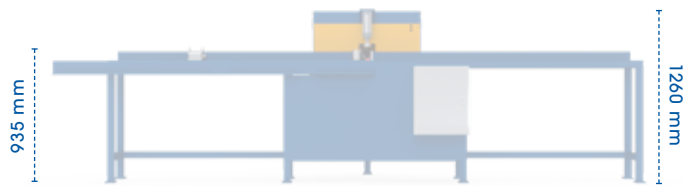


/ FABRICATION

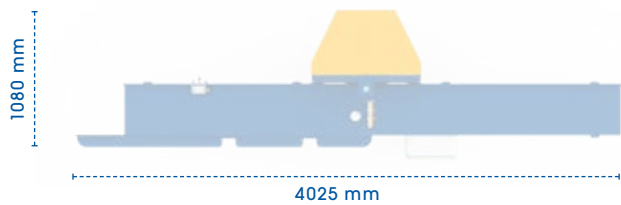
**VEKTA
NOG NAILER**



/ SIDE VIEW



/ TOP VIEW



/ SUMMARY

The Vekta Nog Nailer is the ideal stud-nog assembly solution for those plants that already pre-cut or buy their studs and nog components.

A simple machine that clamps the stud and nog into position before dual nailing it in place with a single action.

It also offsets every second component to make installation of components quicker and safer for your mainline operator.

/ SPECIFICATIONS

Timber width / height	70-90 mm wide 35-45 mm thick
Nailing cycle time	3-4 s

* Actual results are site dependent with consideration to timber condition and member geometries.

/ FEATURES

- Small footprint, safe and easy to use
- Automatically offsets every second nog for easy install
- Can be used with either 35mm or 45mm timber
- Extended table to allow the easy lining up of blocks with studs (manual)

/ OPTIONS

- Flexible nail gun integration, with larger coil options

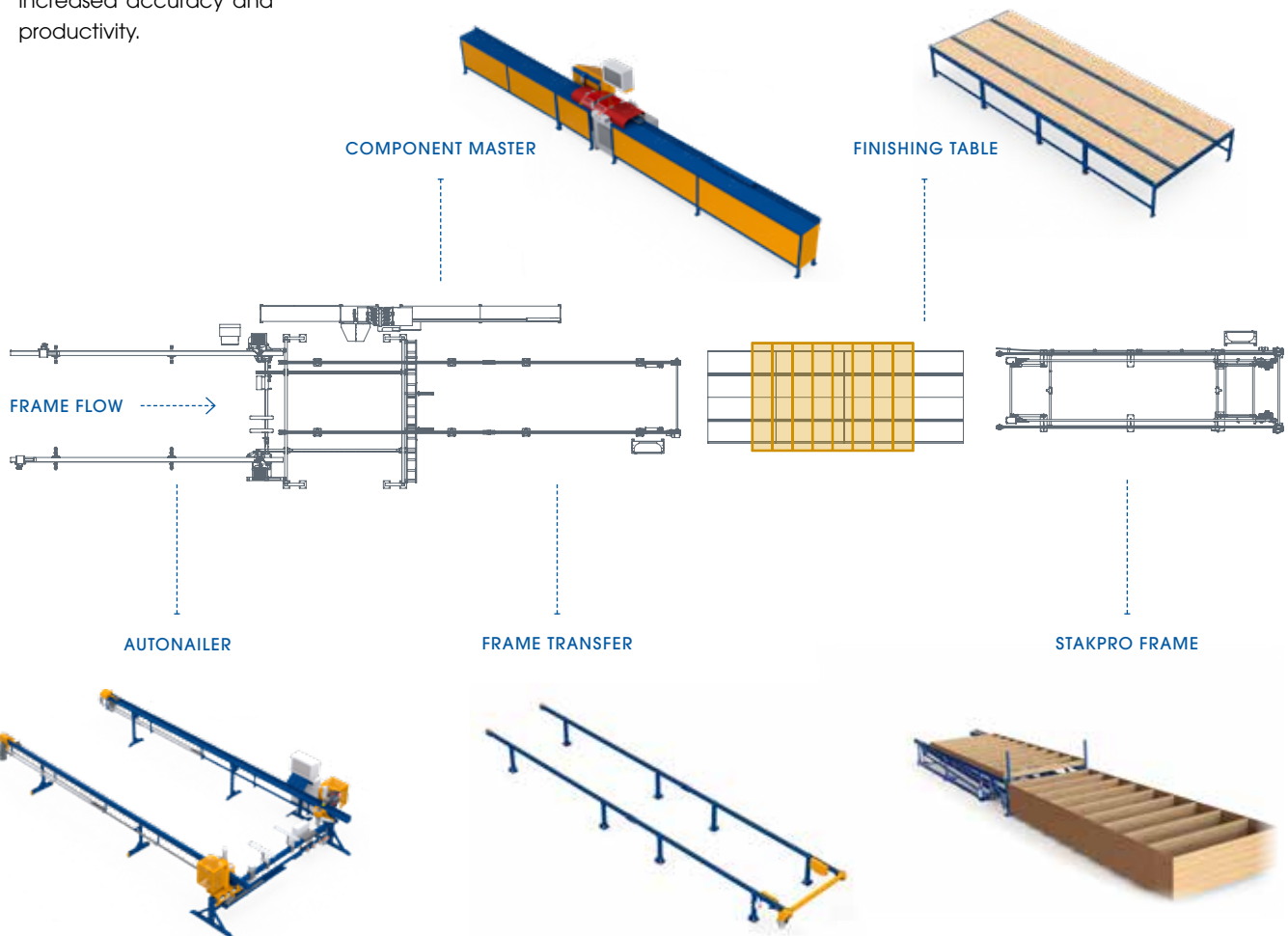


/ FABRICATION

/ SAMPLE LAYOUT

Vekta's custom framing solutions will help you streamline your framing line to give you increased accuracy and productivity.

/ TOP VIEW



/ WATCH

- Scan the QR code to the right to see Vekta's Fabrication solutions in action!



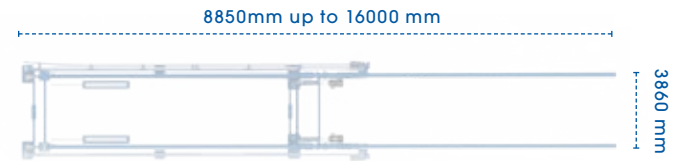
CONVEYING

Eliminate bottlenecks, error and potential injury with our scalable and upgradable custom conveying and stacking systems.

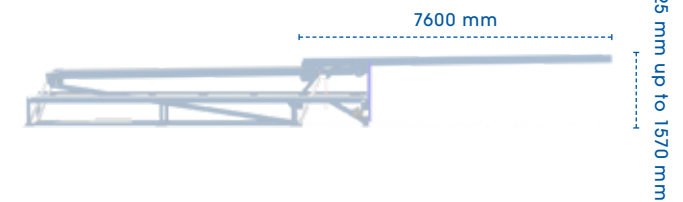
VEKTA STAKPRO FRAME



/ TOP VIEW



/ SIDE VIEW



/ SUMMARY

The Vekta StakPro Frame is placed at the end of a framing line (indoors or outdoors) and has two arms that lift the assembled frames and stack them - all at the touch of a button.

Remove injury risk and manual requirements for automated frame delivery and stacking.

Available in multiple model options.

/ SPECIFICATIONS

Model options	Standard Heavy Duty Finishing Table Integrated
Working Load Limit (WLL)	90-680 kg (based on model)
Cycle time	45-90 s (max)
Integration options	Gravity infeed, Automated Chain Drives (with backstops), Integrated Finishing Table
Automation options	Full Automation (requires Vekta Chain Drives), One-Touch Automation, Remote Operation + Control

/ FEATURES

- Removes the hazardous manual handling task and the risk for one or many people
- Scalable delivery, finishing and stacking solutions that focus on speed, efficiency and increased plant productivity

/ OPTIONS

- Control: manual operation via remote pendant and/or automation kit
- Can be integrated into current systems for fabrication
- Heavy duty models for larger and heavier panels available



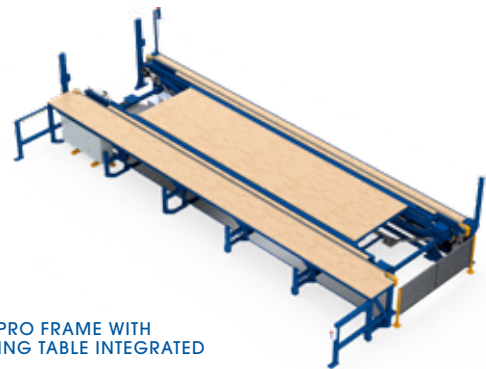


/ CONVEYING

VEKTA FINISHING TABLES



/ STANDALONE FINISHING TABLE



/ STAKPRO FRAME WITH
FINISHING TABLE INTEGRATED

/ FEATURES

- Pneumatic pop-up rail facilitates frame progression with minimal manual handling
- Built in air connections for pneumatic tools
- Each table designed and built to suit your plant layout and needs
- Progress frames once completed with little to no manual handling (and no overhead cranes)
- Add a powered chain line with backstops to add automation and control to your framing line, you decide when your next frame is delivered
- Multiple options for stacking and line control and extended safety measures can be installed at any time

/ FEATURES

- Both the StakPro Frame and a Finishing Table combined
- Save precious floor space by combining two major parts of your fabrication line
- Stack your frames / panels as soon as they are complete with no manual handling
- Can be setup with 'one-touch' automation



/ WATCH

- Scan the QR code to the right to see Vekta's Frame Conveying Solutions in action!



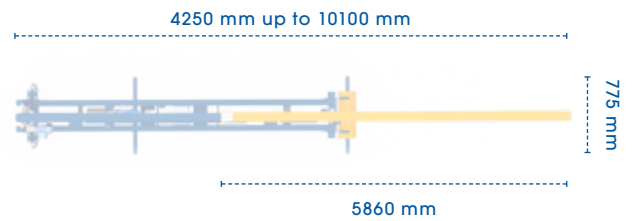


/ CONVEYING

**VEKTA
STAKPRO TRUSS**



/ TOP VIEW



/ SIDE VIEW



/ SUMMARY

Remove the need for wasting time and precious staff on manual handling work that can be done more safely and efficiently by the StakPro Truss.

Easy to install, maintain and operate with variable levels of automation to suit your operational needs.

/ SPECIFICATIONS

Working Load Limit (WLL) (per boom)	80 kg
Cycle time	25-45 s
Model options	External – standalone Internal – rail mounted
Number of booms per bay	1 minimum - 4 maximum typical

/ FEATURES

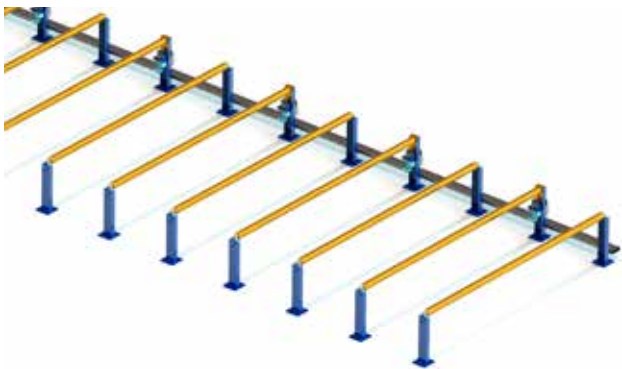
- Removes the hazardous manual handling task and the risk for one or many people
- Scalable delivery, finishing and stacking solutions that focus on speed, efficiency and increased plant productivity
- Modular system – add it to existing rollers or use the our Smart Roller Conveyor for complete automation

/ OPTIONS

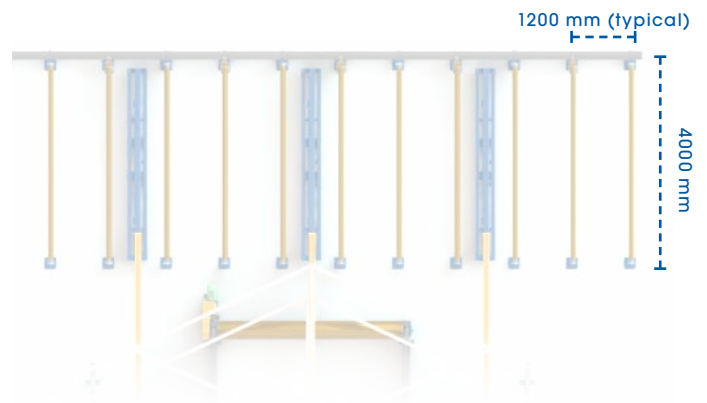
- Manual operation via remote pendant and/or automation kit
- Interior or exterior options
- Integration options – Smart Roller Conveyor (SRC), standard rollers, Stak Roller, Truss Transfer



/ CONVEYING



/ TOP VIEW



/ SUMMARY

The SRC (Smart Roller Conveyor) automatically moves your trusses to the center of the required bay for stacking.

When integrated with upstream systems, SRC knows exactly which bay each truss needs to be delivered to.

SRC can be automated to employ the use of a handheld pendant allowing the operator to position and stack at multiple bays.

/ SPECIFICATIONS

Width – roller length (truss can be wider)	4000 mm
Height – ground to top of roller	845 mm (typical)
Length – roller conveyor line	To suit layout – roller conveyors typically spaced at 1200 mm
Roller drive arrangement	Every second roller is driven by its own motor

/ FEATURES

- Faster, safer, easier and more efficient than manual transfer
- Designed to suit your layout
- Every second roller is driven by its own motor
- Controlled by handheld remote or fully automated stacking
- When integrated with upstream systems, SRC knows exactly where each truss needs to be delivered to

/ OPTIONS

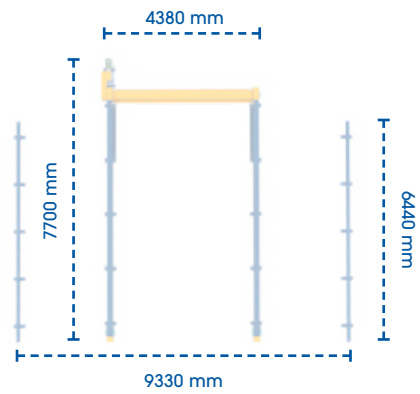
- Fully customisable automation at the design stage including zone control, multiple bays, auto-stacking, collision avoidance, upstream integration, safety systems



/ CONVEYING



/ TOP VIEW



/ SUMMARY

Vekta's Truss Transfers are a heavy-duty chain conveyance system designed to move full stacks of trusses.

When a stack of trusses is complete, the Truss Transfers move the stack out of the way immediately to eliminate bottlenecks at the stacking station .

/ SPECIFICATIONS

Working Load Limit (WLL)	2500 kg
Height - ground to top of chain	350 mm
Transfer speed	300 mm/s

/ FEATURES

- Eliminates bottlenecks with immediate truss transfer
- Takes time pressure off forklift operators
- Remote control movement at the touch of a button
- Extremely durable - heavy duty chain conveyance system designed for full stacks and external conditions
- Simple and reliable to maintain and repair

/ OPTIONS

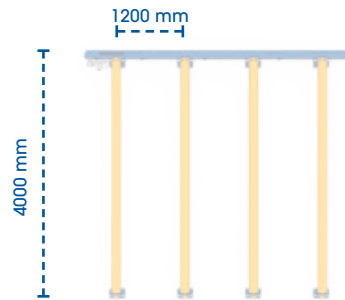
- Perfect for integration with the Vekta Smart Roller Conveyor and StakPro Truss systems

/ CONVEYING

VEKTA STAKROLLER



/ TOP VIEW



/ SUMMARY

With Vekta's StakRoller, utilise or recapture precious floorspace whilst increasing your productivity and eliminating bottle necks.

The StakRoller keeps truss stacks in the optimal orientation for picking up with a forklift.

/ SPECIFICATIONS

Weight limit (18 m span)	4500 kg
Speed	500 mm/s
Max. stack height	40 trusses
Rollers per set	4
Max. number of rollers	Unlimited

/ FEATURES

- Can be built to any length or extended later, conveniently built in bays to facilitate scaling and maintenance
- Retractable reaction posts allow apex inverted stacking and rolling of trusses
- Allows for on-the-spot strapping of trusses, moving them quickly and making room for the next set

/ OPTIONS

- Set up multiple bays downstream to organise your flow and truss placement
- Extra safety features available upon request and can be installed at a later date
- Multiple modes of operation - systems rolls trusses and prepares for the next one

/ WATCH

- Scan the QR code to the right to see Vekta's Truss Conveying Solutions in action!



THE VEKTA DIFFERENCE

/ SUPPORT SOLUTIONS



/ SUMMARY

Vekta understand that automated machinery in a Truss and Frame plant can become your best team member.

If your saw is down, production, deadlines and reputation can also suffer.

At Vekta, nothing takes a higher priority than a customer with a technical problem.



/ INDUSTRY LEADING SERVICE & SUPPORT

- Spare parts held in Perth, Melbourne, Auckland and Minneapolis
- Parts can be dispatched on the same day as ordered
- Online and phone remote support available no matter where you are located
- Dedicated customer support team with remote engineers in most states
- Post-install consultation to ensure you are getting the most out of your equipment
- Technicians and Engineers who receive extensive training on all Vekta equipment

/ VEKTA RESCUE: THE ALWAYS AVAILABLE ONLINE GUIDE

- Step by step information for problems with software, cutting issues, optimisation, printing
- FAQ's
- Maintenance procedures – daily, weekly, monthly
- Training checklists
- New information is continuously being added to support all Vekta products



/ OUR TEAM



/ ED SERRANO - MANAGING DIRECTOR

Ed Serrano is the Managing Director of Vekta Automation in Australia and Vekta USA in North America. Born in the USA, he moved to Australia to study Mechatronic Engineering at Curtin University, graduating with Honours in 2004.

Ed's career with automation began with the Razer Linear Saw at PFP Technologies. In 2009, he purchased the IP and rights to the Razer saw and formed Vekta Automation.

Ed has over 20 years' experience with industrial automation projects specifically for the Truss and Frame industry.

With a solid understanding of the conditions and needs of truss plants and his experience in industrial automation, he has helped many plants improve their production and business through automation.

/ VEKTA'S TEAM

Vekta's team know what it means to be competent and accountable. They know when to act and when to seek help. They know how to best support you and your business.

Vekta's team have an industry-leading reputation for consistently deliver high-quality service to customers in different parts of the globe.



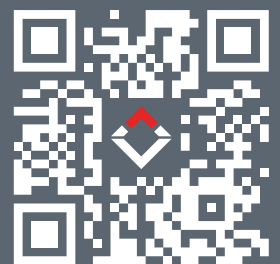
VEKTA

ADVANCED AUTOMATION

YOUR AUTOMATION PARTNER

AUTOMATE WITH VEKTA TO:

- ENHANCE EFFICIENCY
- BOOST PRODUCTION
- MINIMISE WASTE
- REDUCE REDUNDANCIES
- IMPROVE SAFETY
- REDUCE OVERHEADS
- FUTURE PROOF



VEKTA.COM.AU